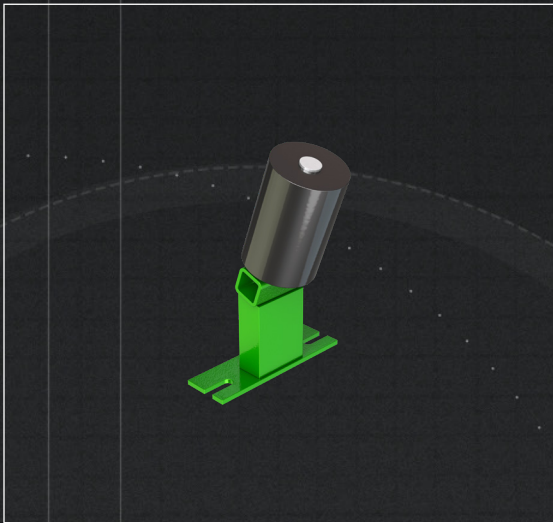


# REPLACEMENT CONVEYOR IDLERS

/ Collaborate / Create / Convey

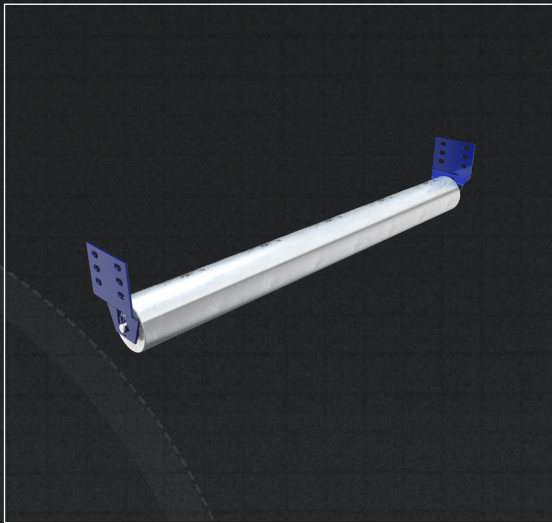
Fluent Conveyors offers a large variety of replacement conveyor idlers. We supply CEMA rated idlers, mine duty idlers, composite blend idlers, tracking idlers, self aligning idlers, beater idlers and various return roll idlers. If you need it, chances are we have it. Fluent Idlers can be purchased with bearings that are optimized for all environments from wet (wash or dredge), dry and dusty (crushing and screening), to washed sand and fines (dredging and most extreme conditions).

## CEMA RATED IDLERS



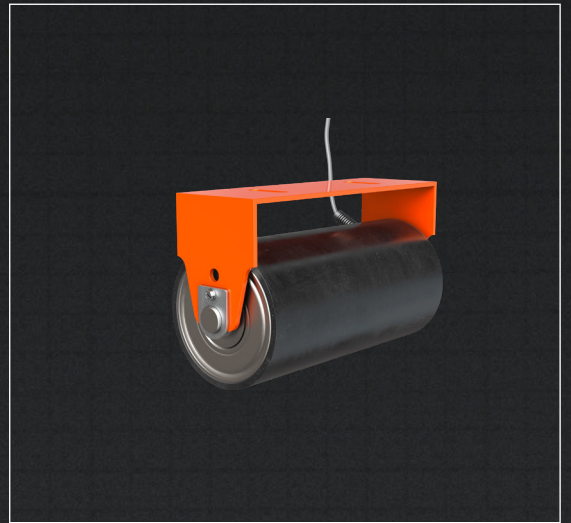
Our CEMA idlers come with industry leading seals to lengthen the life of the bearings and minimize down time. These Idlers are available in many configurations including equal troughing, composite blend, low profile, impact, off center, self aligning, steel and rubber flat carriers.

## RETURN IDLERS



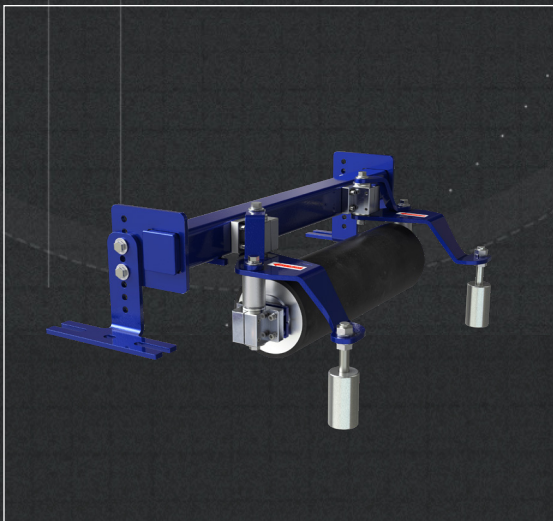
Fluent offers many variations of CEMA return idlers. These use the same industry leading seals as our CEMA idlers. Some of the many variations include, flat return rolls, spiral return rolls, rubber disc returns, self aligning return rolls and more.

## TRAINER RETURN IDLERS



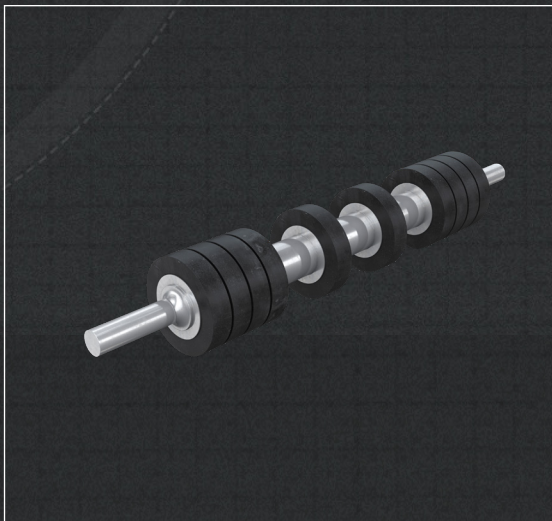
These Idlers are best used on portable conveyors and trough idler conveyors where there is not enough room to fit a traditional self aligning idler. These use the lagging and eccentric axles to shift under the load of the belt and track it back towards the center of the conveyor.

## PRO TRAINER IDLERS



Our Pro Trainer idlers work differently from standard trainer idlers. These fit on the return side of the belt, however, the roll remains on the clean side of the belt. This reduces build up and allows for improved tracking.

## RUBBER DISC RETURN IDLERS



Fluent provides rubber disc rollers designed for the toughest of environments. These are made with vulcanized 60 durometer rubber discs to help reduce material build up and allow for a long life of the roller.

## GROOVED RETURN RUBBER IDLERS



These are made using the same tube as the traditional disc idlers, however, they are one piece of rubber (60 durometer) vulcanized to the tube. This creates for the longest lasting rubber disc return roller available.

\*\*Please note we offer more Idler types than shown here. Contact Fluent Conveyors if you have an idler configuration or type you are unsure of.



# Technical Specifications & Idler Modification Options

Please note not all idlers can be configured with each option.

---

## Idler Types

- CEMA B, C, D, E, and F
- Mine duty Idlers
- Return trainers
- Self-aligning idlers
- Return rollers
- Beater rollers
- Live shaft rollers
- V return idlers
- Rubber return rollers
- Lagged return idlers
- Channel inset idlers
- Grain idlers
- Impact idlers
- Custom idlers upon request (Provided Drawings)

---

## Idler Bearings

- Optimized for wet
- Optimized for dry and dusty
- Optimized for overland and long distance
- Optimized for dredging and fines removal

---

## Idler Mounting Types

- Standard top mount
- Channel Inset (low profile)
- Web Mount

---

## Idler Roll Materials

- Standard steel
  - Polyurethane coated
  - Rubber lagging
  - Rubber discs
-